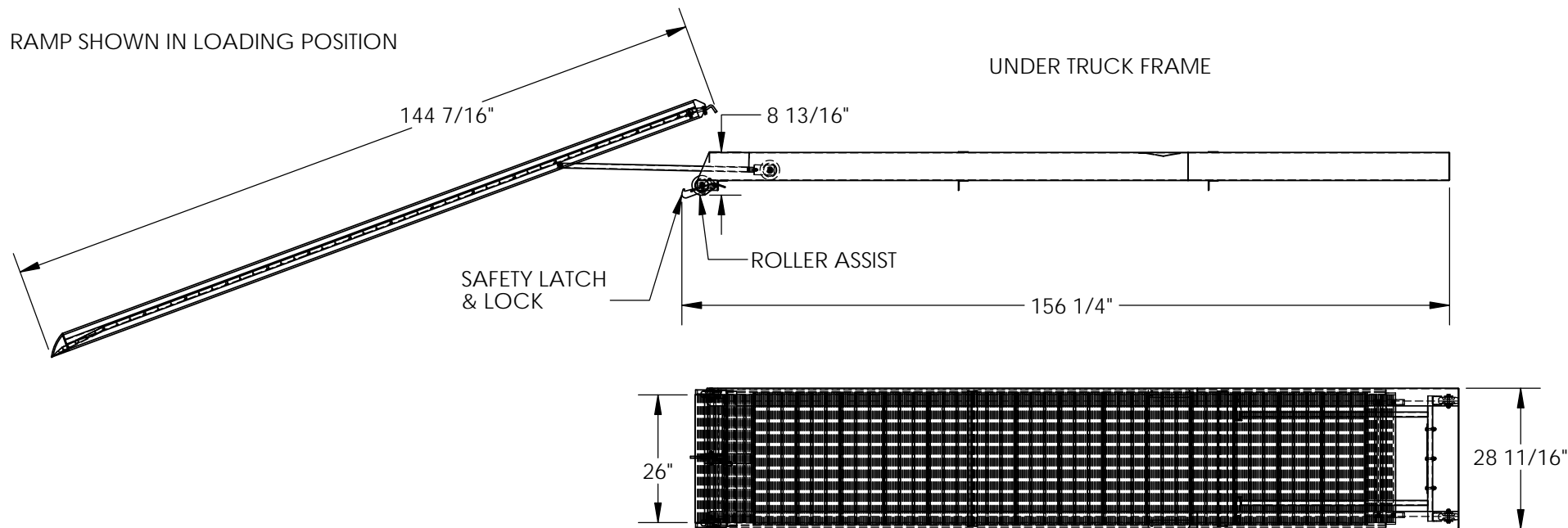


# ALUMINUM TRUCK MOUNTED WALK RAMP - AWR-TM-28-12A

APPROX WEIGHT: 248.79 lbs.  
 DOES NOT INCLUDE WEIGHT OF POWER OR PACKAGING!!!

\*\*\* ANY ADDITIONS, DELETIONS, OR OMISSIONS MUST BE CORRECTED ON THIS DRAWING AS THIS DRAWING WILL BE CONSIDERED ALL INCLUSIVE \*\*\*

ALL GRAPHICS PROVIDED ARE FOR REFERENCE ONLY. IF CERTAIN DIMENSIONS ARE CRITICAL PLEASE VERIFY THOSE DIMENSIONS WITH YOUR SALESPERSON



BOTTOM VIEW SHOWN W/RAMP IN STORED POSITION

## STANDARD FEATURES

- MODEL NUMBER IS AWR-TM-28-12A
- OVERALL WIDTH IS 28 11/16"
- USABLE WIDTH IS 26"
- OVERALL LENGTH IS 156 1/4"
- USABLE LENGTH IS 144 7/16"
- "B" STYLE HOOK ENDS
- 4 WHEEL CART CAPACITY: 1,900 LBS.
- 2 WHEEL CART CAPACITY: 1,400 LBS.
- HEIGHT SERVICE RANGE: 6"-46"
- SERDATED DECK SURFACE
- STEEL POCKET FRAME FOR UNDER TRUCK STORAGE

## SPECIAL FEATURES

NONE

DIMENSION TOLERANCE ± 1/4"

A P P R O V A L	I, THE UNDERSIGNED, AGREE THAT THE PRODUCT AS REPRESENTED SATISFIES DESIGN AND DIMENSION REQUIREMENTS. I ALSO ACKNOWLEDGE MY DUTY TO CONFIRM PRODUCT AND INSTALLATION COMPLIANCE WITH ALL APPLICABLE FEDERAL, STATE AND LOCAL REGULATIONS AND STANDARDS.	
	<b>ALL SPECIAL UNITS ARE NON-RETURNABLE</b>	
	[ ] As drawn      [ ] As marked	
Signed: _____		Date: _____
LEAD TIME WILL START UPON RECEIPT OF SIGNED APPROVAL DRAWING		

FOR INTERNAL USE ONLY PROJECT SIGN OFF	
SALES	
ENG.	
FAB.	
POWER	

DISTRIBUTOR'S NAME: HOF EQUIPMENT COMPANY		P.O.# X
PH: 888-990-1150		W.O.# X
DRAWN BY: RAL	DATE: 10/02/14	SALES:
REFERENCE: X	SCALE: 1:32	FILE NAME:
QUOTED LEAD TIME: X	QUOTE # X	18-007-295